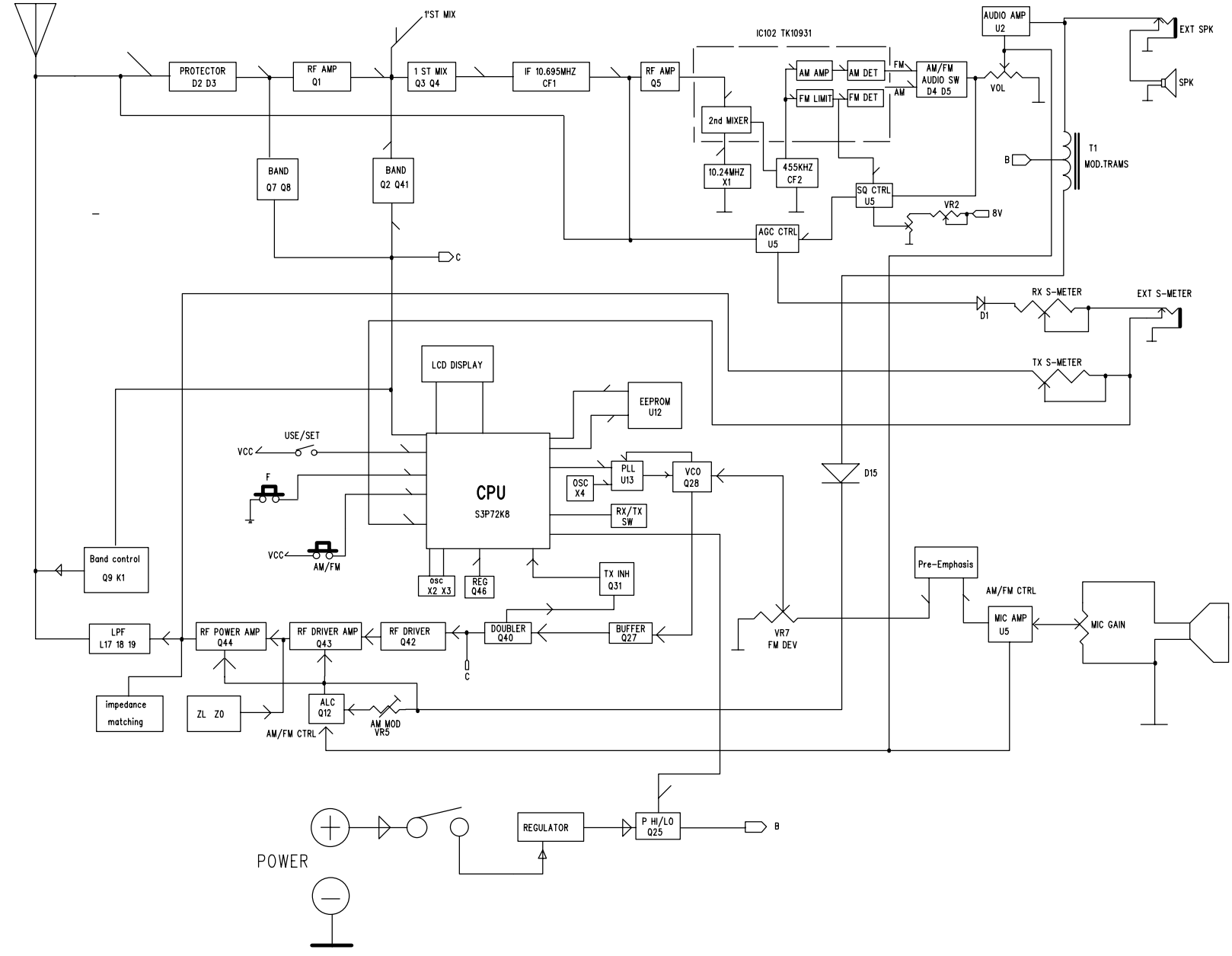
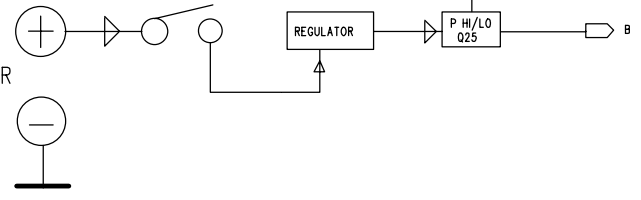
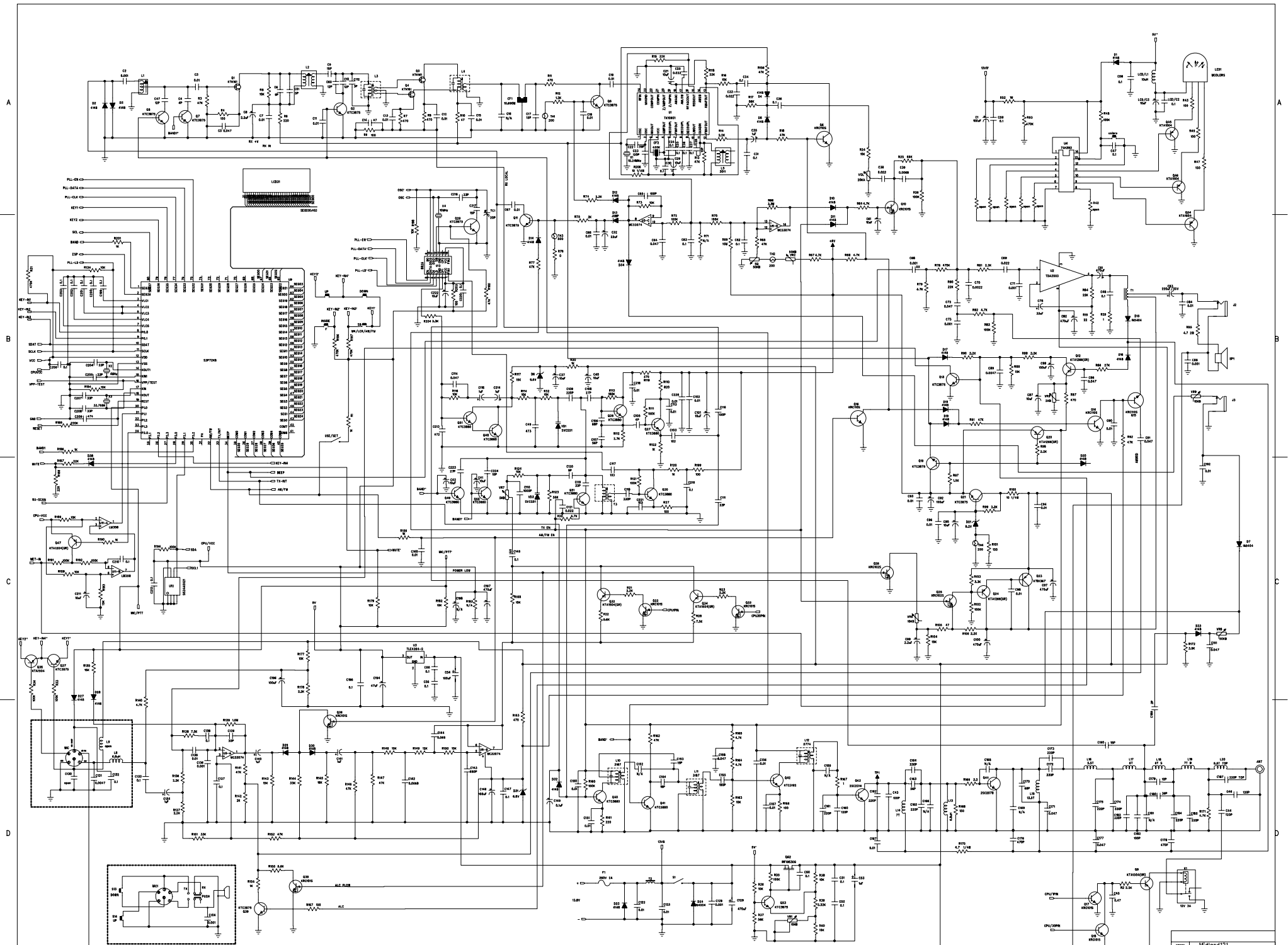


ANT



POWER





WEEK	Midland121
OP FILE	2
REV	L Y J
DESIGNED	24/5/06
CHECKED	24/5/06
APPROVED	

